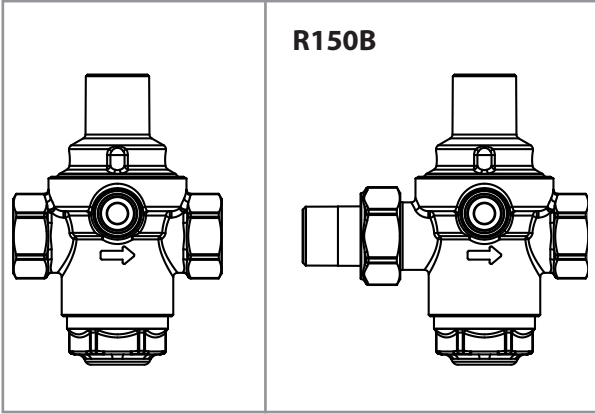


R150 / R150B
AUTOMATIC FILLING VALVE



Pressure setting: 0,5 ÷ 3 bar
 Factory setting: 0,6 bar (only R150Y123)
 Max. working pressure: 10 bar
 Max. working temperature: 70°C
 Connections (inlet x outlet): 1/2" F x 1/2" F (R150Y103 – R150Y123)
 1/2" M x 1/2" F (R150BY103)
 Pressure gauge connections: 2 x 1/4"
 n. 1 cap with washer (R150Y103 – R150BY103)
 n. 2 caps with washers (R150Y123)

