



R250D BSP

Description

Ball valve with female-female connections, BSP threaded. For plumbing, gas and liquid hydrocarbon systems. Chrome-plated and not chrome-plated brass. Standard port. Steel lever handle (red or yellow).

Versions and product codes

Product code	Size	Brass	Use	Handle color			
R250ZY001	1/4"	Not chrome-plated		Red			
R250ZY002	3/8"						
R250ZY003	1/2"						
R250ZY004	3/4"						
R250ZY005	1"						
R250ZY006	1 1/4"						
R250ZY007	1 1/2"						
R250ZY008	2"						
R250ZY009	2 1/2"						
R250ZY010	3"						
R250ZY011	4"						
R250ZX001	1/4"	Chrome-plated	Plumbing systems	Red			
R250ZX002	3/8"						
R250ZX003	1/2"						
R250ZX004	3/4"						
R250ZX005	1"						
R250ZX006	1 1/4"						
R250ZX007	1 1/2"						
R250ZX008	2"						
R250ZX009	2 1/2"						
R250ZX010	3"						
R250ZX011	4"						
R250ZX041	1/4"	Chrome-plated		Blue			
R250ZX042	3/8"						
R250ZX043	1/2"						
R250ZX044	3/4"						
R250ZX045	1"						
R250ZX046	1 1/4"						
R250ZX047	1 1/2"						
R250ZX048	2"						
R250ZX049	2 1/2"						
R250ZX061	1/4"				Gas and liquid hydrocarbons systems		Yellow
R250ZX062	3/8"						
R250ZX063	1/2"						
R250ZX064	3/4"						
R250ZX065	1"						
R250ZX066	1 1/4"						
R250ZX067	1 1/2"						
R250ZX068	2"						
R250ZX069	2 1/2"						
R250ZX070	3"						
R250ZX071	4"						

Technical data

Main features and materials

- Suitable for plumbing, gas and liquid hydrocarbon systems.
- Connections: F x F (Rc EN10226 - "BSP").
- Standard port.
- UNI EN 12165 CW617N brass valve.
- Stem with double O-Ring.
- Nut with anti-corrosion coating, with guarantee seal and hologram.
- Steel lever handle (red for water use; yellow for gas use), with pvc anti-corrosion coating.

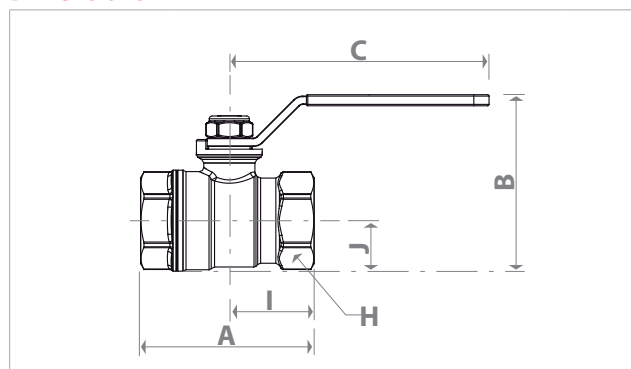
Field of applications

- Max. working pressure at 20 °C with water and not dangerous gas:
4,2 MPa (42 bar) for 1/4" - 3/8" - 1/2" - 3/4"
3,5 MPa (35 bar) for 1" - 1 1/4" - 1 1/2" - 2"
2,8 MPa (28 bar) for 2 1/2" - 3" - 4"
- Minimum working temperature: -20 °C with 50 % glycol solutions.
- Max. working pressure at 20 °C with liquid hydrocarbon: 1,2 MPa (12 bar)
- Max. operating pressure (MOP) with gas: 0,5 MPa (5 bar)
- Max. working conditions with dry saturated steam:
185 °C with 1,05 MPa (10,5 bar)

Valves Kv

Size	Kv	Size	Kv
1/4"	6,6	1 1/2"	105
3/8"	6,7	2"	158
1/2"	10,2	2 1/2"	240
3/4"	18,5	3"	269
1"	36,3	4"	461
1 1/4"	73,5		

Dimensions



Size	DN	A [mm]	I [mm]	B [mm]	J [mm]	C [mm]	H [mm]
1/4"	8	43	21	36	10	43	17
3/8"	10	45	22	46	14	77	21
1/2"	14	54	27	49	15	77	25
3/4"	18	63	31	64	18	94	32
1"	22	75	38	73	23	94	39
1 1/4"	28	84	42	82	28	94	48
1 1/2"	35	93	46	100	33	136	55
2"	45	107	54	115	41	136	67
2 1/2"	58	146	73	154	52	173	82
3"	68	160	80	169	60	173	98
4"	90	207	104	207	77	187	122

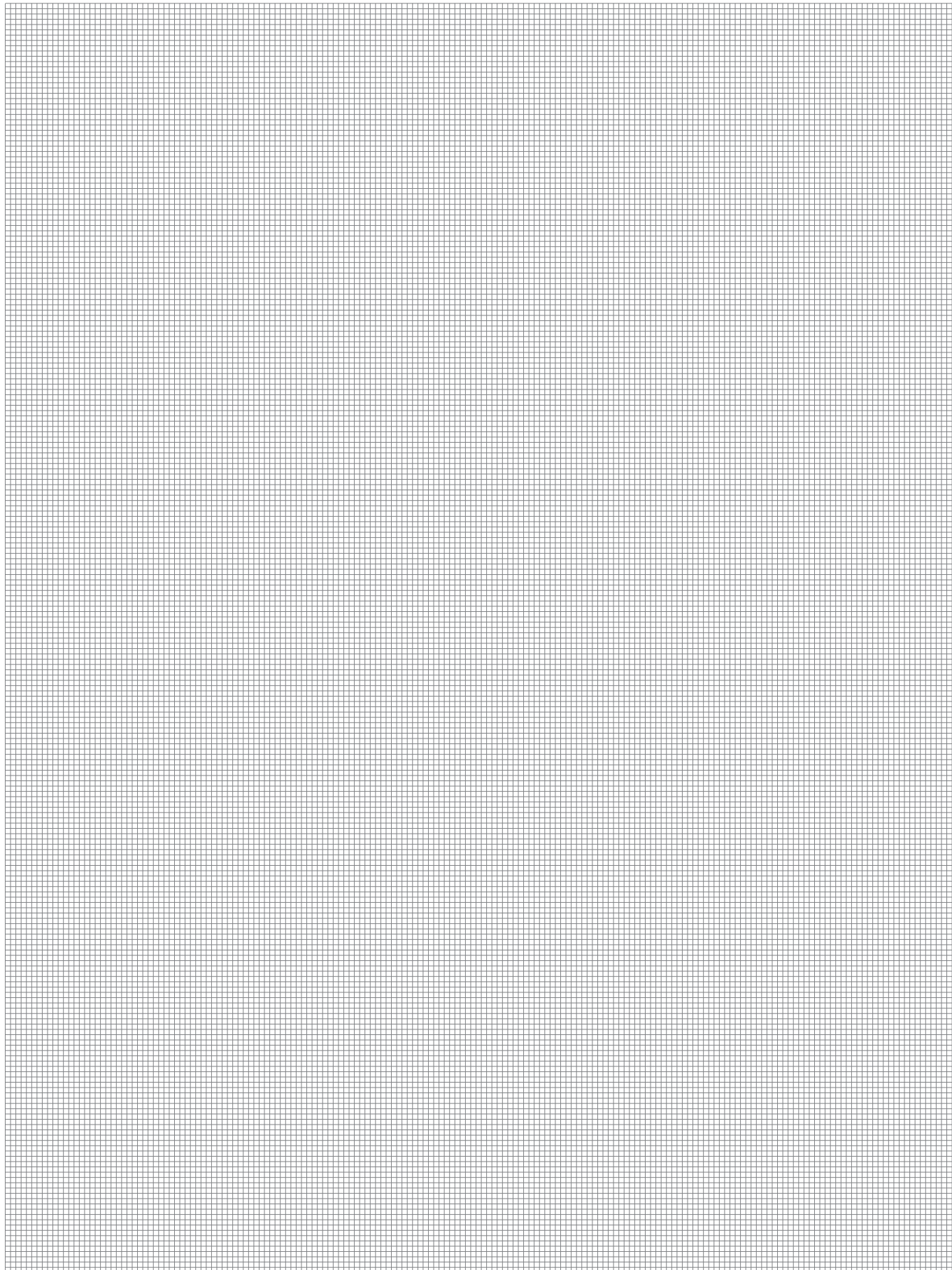
BALL VALVES

0827EN May 2016

STANDARD PORT BALL VALVE.
FOR PLUMBING, GAS AND LIQUID HYDROCARBON SYSTEMS.
R250D BSP SERIES



GIACOMINI
WATER E-MOTION



Additional information

For additional information please check the website www.giacomini.com or contact the technical service: ☎ +39 0322 923372 📠 +39 0322 923255 ✉ consulenza.prodotti@giacomini.com
This pamphlet is merely for information purposes. Giacomini S.p.A. retains the right to make modifications for technical or commercial reasons, without prior notice, to the items described in this pamphlet. The information described in this technical pamphlet does not exempt the user from following carefully the existing regulations and norms on good workmanship.
Giacomini S.p.A. Via per Alzo, 39 - 28017 San Maurizio d'Opaglio (NO) Italy