

GATE VALVE R55



Description

Gate valve with female threads.

It is suitable for use with cold water, hot water and steam at low pressure. It satisfies the requirements of PED 97/23/CE Directive, according to which, it is exempted from CE marking according to 3.3 paragraph.

Materials

- Body: CW 617N – UNI EN 12165
- Particulars in forged brass (CW 617N – UNI EN 12165) and machined from bar (CW 614 N – UNI EN 12164).
- PTFE external sealing.
- Handwheel: Alluminium
- Zinc plated steel nut for fixing of the handwheel.

Working conditions

Working temperature: 0°C ÷ 110°C

32°F ÷ 230 °F

Maximum pressure: 16 bar / 232 psi at 23 °C / 73 °F

10 bar / 145 psi at 95 °C / 203 °F

Product code

ISO228 Parallel thread connections

SIZE	PRODUCT CODE
3/8"	R55Y002
1/2"	R55Y003
3/4"	R55Y004
1"	R55Y005
1" 1/4	R55Y006
1" 1/2	R55Y007
2"	R55Y008
2" 1/2	R55Y009
3"	R55Y010

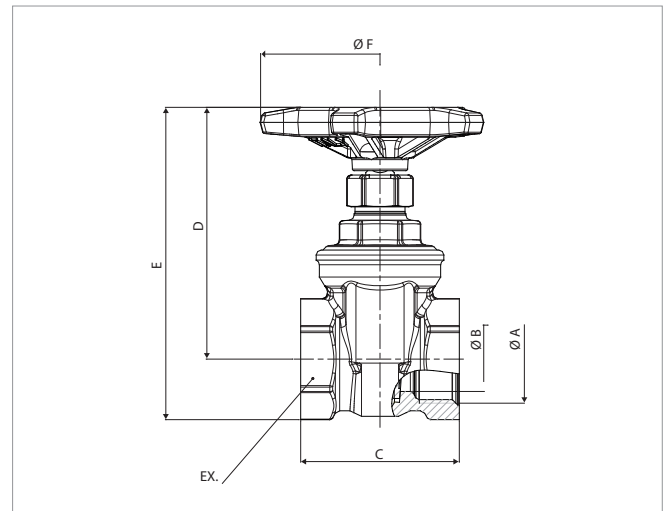
BSP taper thread connections

SIZE	PRODUCT CODE
3/8"	R55ZY002
1/2"	R55ZY003
3/4"	R55ZY004
1"	R55ZY005
1" 1/4	R55ZY006
1" 1/2	R55ZY007
2"	R55ZY008

NPT thread connections

SIZE	PRODUCT CODE
3/8"	R55UY002
1/2"	R55UY003
3/4"	R55UY004
1"	R55UY005
1" 1/4	R55UY006
1" 1/2	R55UY007
2"	R55UY008
2" 1/2	R55UY009
3"	R55UY010

Dimensions:



ØA	ØB	C	D	EX	E	ØF
3/8"	12	37	60	22	72	59
1/2"	14	43	64	26	79	59
3/4"	19	48	76	32	94	72
1"	25	54	87	39	109	72
1" 1/4	32	62	96	49	130	84
1" 1/2	38	64	116	55	147	95
2"	51	76	140	68	178	108
2" 1/2	60	80	186	84	233	145
3"	70	84	198	99	256	145

Use instructions

Gate valves can be horizontally or vertically installed. The slow and proportional manoeuvre avoid the water hammer phenomenon. We recommend to pay attention during the installation phase, above all for the small dimensions, avoiding forcing the pipe screwing and deforming the sealing seats. Gate valves can also work in intermediate positions of the stroke, so as to partialize the capacity into pipes.

Additional information

For additional information please check the Giacomini website at the following address: www.giacomini.com

☎ +39 0322 923372

☎ +39 0322 923255

✉ consulenza.prodotti@giacomini.com

This pamphlet is merely for information purposes. Giacomini S.p.A. retains the right to make modifications for technical or commercial reasons, without prior notice, to the items described in this pamphlet. The information described in this technical pamphlet does not exempt the user from following carefully the existing regulations and norms on good workmanship.

Giacomini S.p.A. Via per Alzo, 39 I-28017 San Maurizio d'Opaglio (NO) Italy